

Customer:

Job Name:

Date:

Ship To:

Notes:

PO #:

Quote#:

Quantity:

Standard Features

- Three-piece unit
- 2" Threshold
- AcrylX™ applied acrylic
- Slip-resistant floor

Interior Dimensions: 34" W x 34" D x 78" H
 Exterior Dimensions: 36" W x 36" D x 80" H
 Skirt Height: 2"
 Weight: 215 lbs
 Wall Finish: Smooth
 Drain Location: Center
 Material: AcrylX™

CONFIGURATION (handed by seat)

Fully Configured Seat Location: Left-Handed Seat Right-Handed Seat

Includes: One stainless steel curtain rod; Symmons® pressure balance mixing valve with concealed check stops; Moen® hand-held shower head with hose and stainless-steel slide bar/grab bar; two stainless steel 24" grab bars; stainless steel recessed soap dish; white Naugahyde folding wheelchair transfer seat (**specify right or left hand**); a collapsible water dam; and 2" drain.

CUSTOM OPTIONS (Not Available if Fully Configured Option is selected)

Seat: Left-Handed Phenolic Seat Right-Handed Phenolic Seat

Straight Grab Bars (All Grab Bars are Stainless Steel unless otherwise noted):

12"(left side wall) – QTY: _____ 12"(right side wall) – QTY: _____ 16" – QTY: _____ 18" – QTY: _____

Location: _____ Location: _____ Location: _____

22" – QTY: _____ 24" – QTY: _____ 26" – QTY: _____

Location: _____ Location: _____ Location: _____

Fixture Wall: Left Right Back

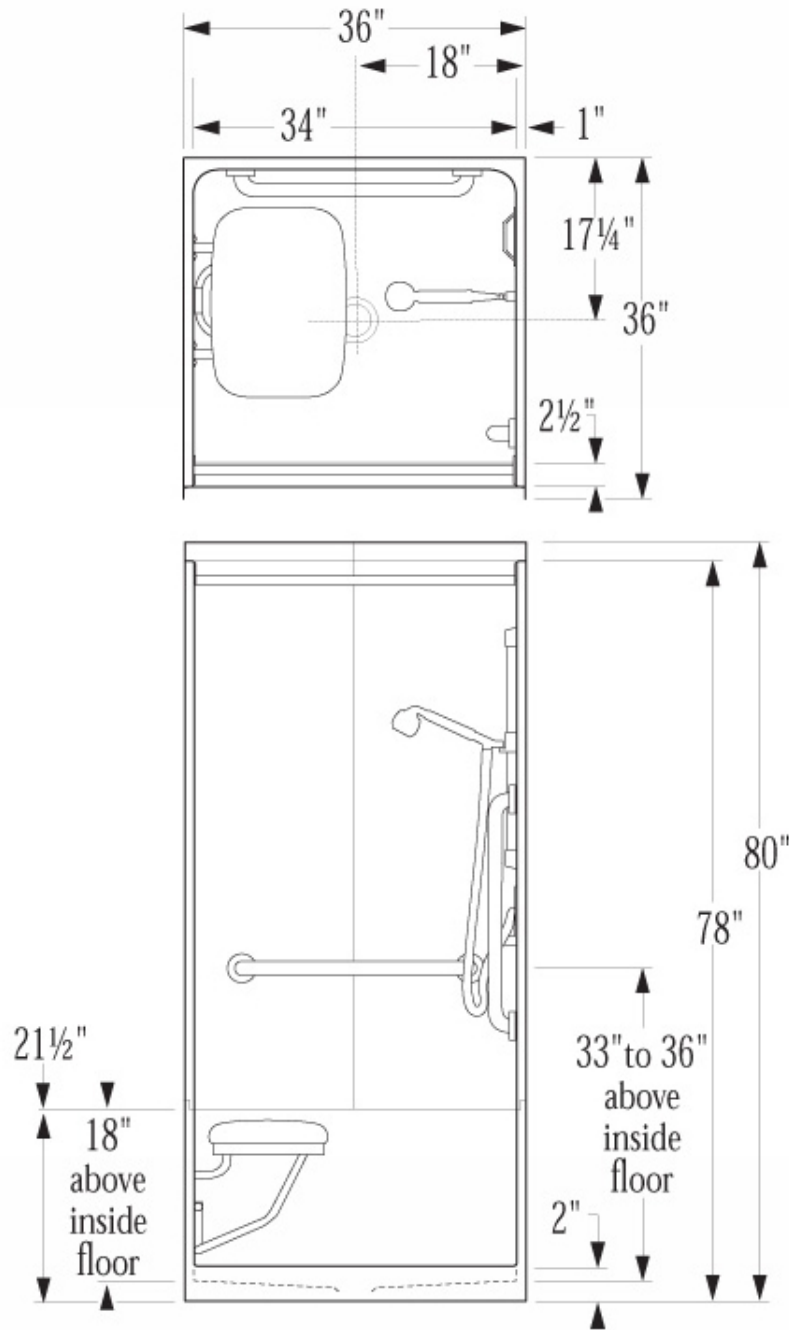
Hand-held shower assembly with 30" slide bar and 60" hose

Pressure balancing mixing valve

OPTIONAL ACCESSORIES

Shower Curtain Curtain Rod 2" Drain Collapsible Water Dam

ANY ALTERATIONS TO ACCESSORIES SHOWN BELOW, PLEASE NOTE ON THESE DRAWINGS.



Plumbing Contractor Approval: _____ Date: _____

General Contractor Approval: _____ Date: _____

Engineer Approval: _____ Date: _____

Architect Approval: _____ Date: _____